

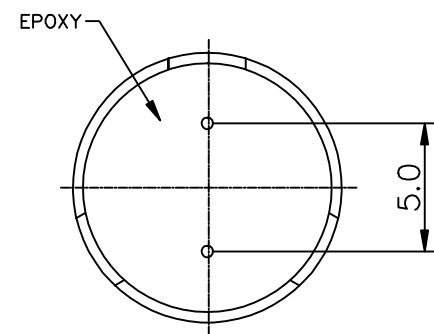
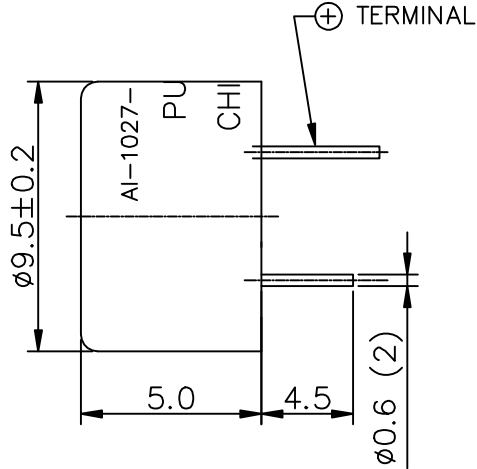
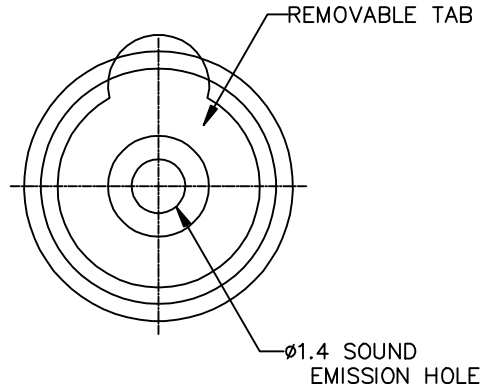
THIS DOCUMENT CONTAINS DATA PROPRIETARY TO PROJECTS UNLIMITED, INC. ANY USE OR REPRODUCTION, IN ANY FORM, WITHOUT PRIOR WRITTEN PERMISSION OF PROJECTS UNLIMITED, INC. IS PROHIBITED.
 © 2005, Projects Unlimited Inc.

SPECIFICATIONS

PARAMETERS	VALUES	UNITS
RATED VOLTAGE	12	Vdc
OPERATING VOLTAGE RANGE	7 ~ 15	Vdc
RATED CURRENT (MAX)	60	mA
MINIMUM SPL @ 10 cm	85	dBA
RESONANT FREQUENCY	2,700±300	Hz
TONE OR PULSE RATE	CONTINUOUS	0 PULSE PER SECOND
OPERATING TEMPERATURE	-20 ~ +80	°C
STORAGE TEMPERATURE	-30 ~ +85	°C
HOUSING MATERIAL	NORYL	-
TERMINAL MATERIAL	Sn PLATED RED COPPER	-
WEIGHT	1	grams

REVISIONS			
LTR	DESCRIPTION	DATE	APPROVED
-	RELEASED FROM ENGINEERING	4/29/05	
A	ADDED POSITIVE TERMINAL LOCATION	11/3/06	B.R.
B	REVISED PART# MARKING ON PART	3/16/07	B.R.

AI-1027-TWT-12V-R
 PUI
 CHINA



NOTES:

1. ALL DIMENSIONS ARE IN MILLIMETERS.
2. SPECIFICATION SUBJECT TO CHANGE OR WITHDRAWAL WITHOUT NOTICE.
3. THIS PART IS RoHS 2002/95/EC COMPLIANT

UNLESS OTHERWISE SPECIFIED: DIMENSIONS ARE IN MILLIMETERS. TOLERANCES ARE ±0.5 AND ANGLES ARE ±3°.

projects®
 unlimited Dayton, Ohio

APPROVALS	DATE
DRAWN R.A.C.	4/05
CHECKED B.R.	4/05
APPROVED R.W.	4/05

INDICATOR	
SIZE A	DRAWING NO. AI-1027-TWT-12V-R
DO NOT SCALE DRAWING	SCALE: N.T.S. SHEET 1 OF 1

FILE NAME
 AI-1027-TWT-12V-R.DWG